

# PECAN

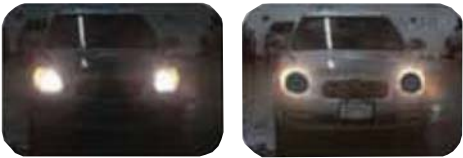
Professional CCTV Products



15° angled surface mount adaptor available



DRG (Dynamic Range Compressor)



HME (Highlight Masking Exposure)



SLC (Sidelight Compressor)



Optional 'Icon' OSD Remote Control



## D053C Series Internal/External Micro Dome Colour Camera

- 1/3" Sony Super HAD II CCD
- 520 TVL high resolution
- Easy 'Plug & Play' installation and set up
- 10-16v DC operation
- 90mA low power consumption
- Lightweight corrosion-resistant polycarbonate housing available in black or silver

### Options include:-

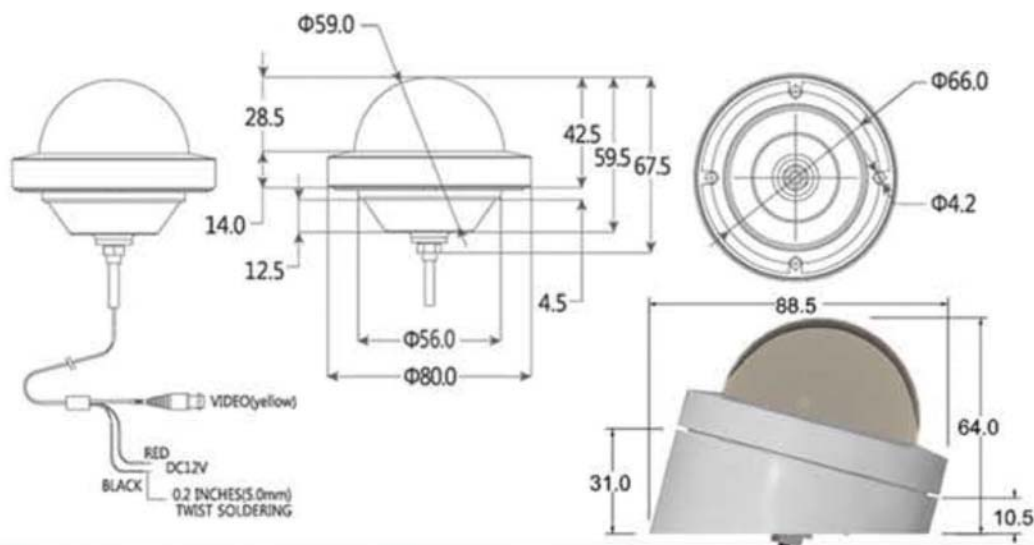
- 'Icon' OSD (On Screen Display) system
- 2nd video output
- 15° angled surface mount adaptor in black or silver

### APPLICATIONS

The D053C Series' advanced technology is specially designed to offer discreet, high performance, indoor and outdoor surveillance. The OSD controls allow individual camera set up, optimising image quality for each application. Ideal for installation in high-end domestic and retail environments as well as transport applications.

☎ 01279 419913  
[www.pecancctv.com](http://www.pecancctv.com)

**D053C Series  
Dimensions (mm)**



With optional 15° Surface Mount Adaptor

**Technical data**

|                       |                               |
|-----------------------|-------------------------------|
| Video output          | Composite video 75 Ohms       |
| Exposure control      | Electronic                    |
| Lens                  | 3.6mm fixed lens              |
| Shutter speed         | 1/50-1/100,000 sec            |
| Sync                  | Int/Linelock                  |
| Gamma                 | 0.45                          |
| Resolution            | 520 TVL                       |
| Sensitivity           | 0.1 Lux. Colour (F1.2 30 IRE) |
| Operating temperature | -10 to +55°C                  |
| Storage temperature   | -20 to +70°C                  |
| Relative humidity     | <90% non-condensing           |
| Power                 | 10-16v DC                     |
| Power consumption     | 90 mA                         |
| Weight                | 101g                          |

**OSD features include:-**

|  |   |
|--|---|
| <b>DRC</b> Dynamic Range Compressor      | <b>HME</b> Highlight Masking Exposure Control |
| <b>SLC</b> Side Light Compressor         | <b>PRIVACY</b> 4 zone settings                |
| <b>MIRROR</b>                            | On/Off  |
| <b>AGC</b> 3 levels                      | <b>BLC</b> 4 zone settings                    |
| <b>ELC</b> 0-100 Electronic Lens Control |   |
| <b>COLOUR/MONO</b>                       | Software controlled switching                 |

**Order information**

| Description                               | Finish | Code                  |
|---|--------|-----------------------|
| Colour Micro Dome Camera                  | Black  | D053C                 |
| Colour Micro Dome Camera                  | Silver | D053C(S)              |
| 15° Surface Mounting Adaptor              | Black  | D053/D054-SMA         |
| 15° Surface Mounting Adaptor              | Silver | D053/D054-SMA(S)      |
| On Screen Display (OSD) Remote Controller |        | D053/D054-OSD-CONTROL |
| Recommended minimum 1 amp power supply    |        | PSU1210R              |

Whilst every effort has been made to ensure the accuracy of the information provided, no liability can be accepted for any errors or omissions. All dimensions are approximate. Stortech Electronics Ltd reserves the right to alter the specification and introduce changes without prior notice.

**PECAN CCTV**

**Tel: 01279 419913** **Fax: 01279 419925**  
**Email: sales@pecancctv.com** **www.pecancctv.com**